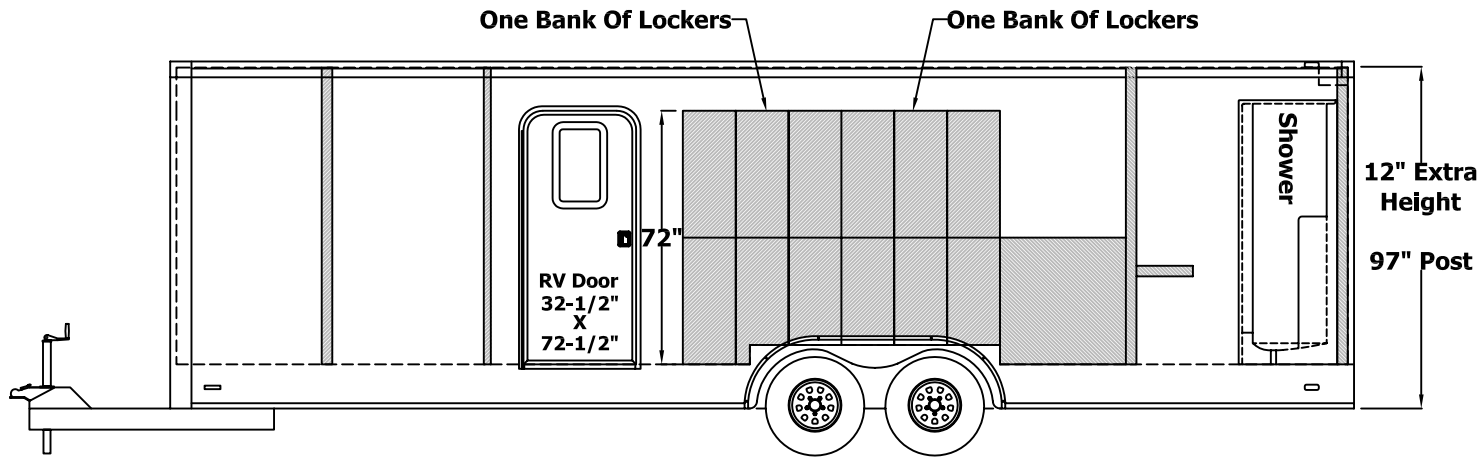


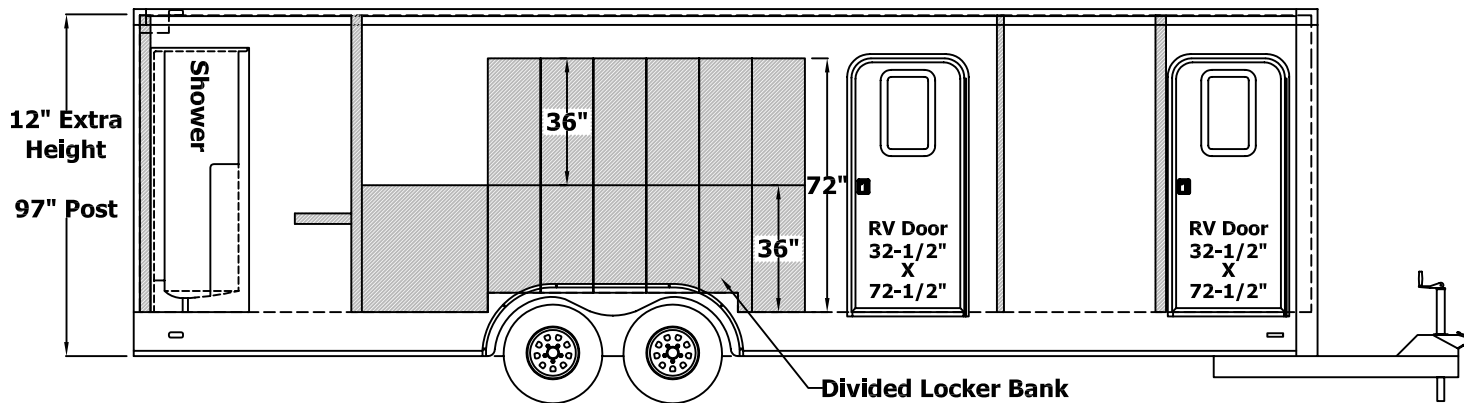
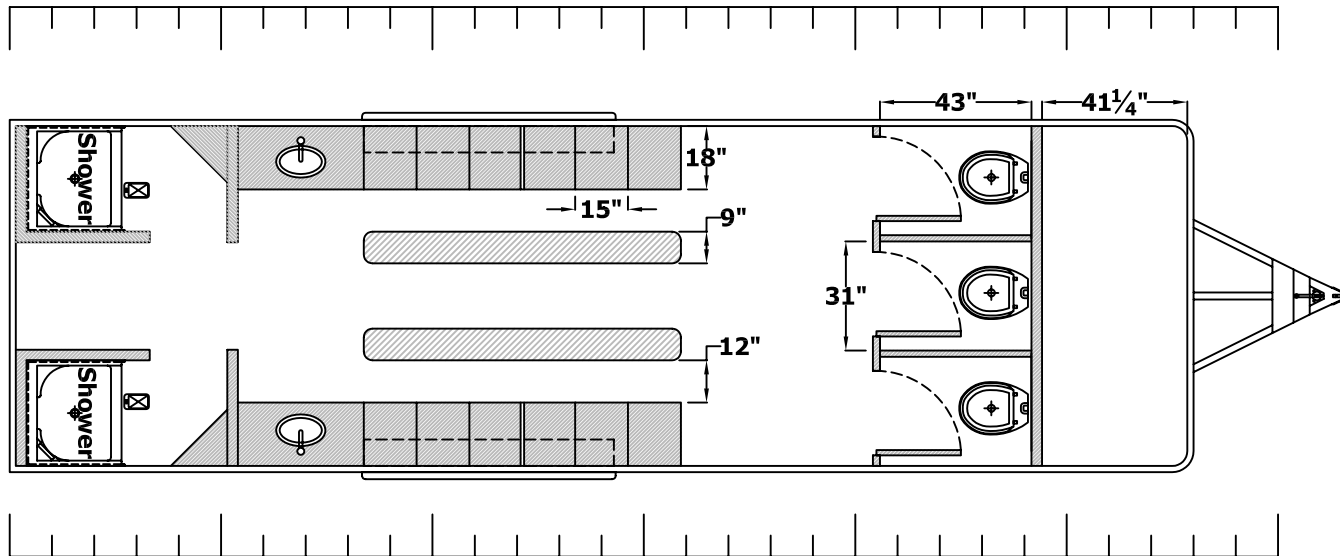
ALPHA Mobile Solutions



CN8528 Locker Room Trailer

Specifications

Overall Width	102"
Box Length	336"
Overall Length	380"





ALPHA Mobile Solutions

(877) 789-1213

(903) 364-2613

www.alphamobilesolutions.com

Standard Features List

CN8528 Locker Room Trailer

Interior:

Hands free, porcelain commodes
Automatic shut-off shower heads
Roof mount air conditioning and heat
12 volt fluorescent lighting
Shatterproof mirrors
Shower stalls with private dressing area and seats
Bench seating
Stainless steel sinks with automatic shut-off faucets
Solid surface countertops
Non-skid, coin style, one piece flooring
Lockable cabinet doors
24 steel lockers (two rows of upper and lower units)
On demand propane water heater
2 - 30 gallon propane tanks
Soap dispensers, toilet tissue holders, paper towel dispensers
Automatic entry / exit door closures
Keyed locks on entry / exit doors with weather stripping
Equipment room with interior lighting
3/4" treated plywood sub-floor

Exterior:

Amber LED porch lights
Scissor jacks on all four trailer corners
Platform with full handrails and bottom step leveling pads
800 gallon waste tank
120 gallon fresh water tank
Standard 110 volt extension chord outlets
Standard water hose connection
Standard 3" banjo waste tank clean out connection
Waste tank washout connection
Waste tank monitor in equipment room
Standard 2 5/16" ball hitch with adjustable tongue and sand pad
LED running lights
Electric brakes with 7 way plug
Aluminum bonded seam body
3" steel C-channel floor joists on 16" centers
6" steel tube frame
Ztech weatherproof coating on frame (top, bottom and sides)
Tor Flex axles
Diamond plate rock guard on front of trailer











