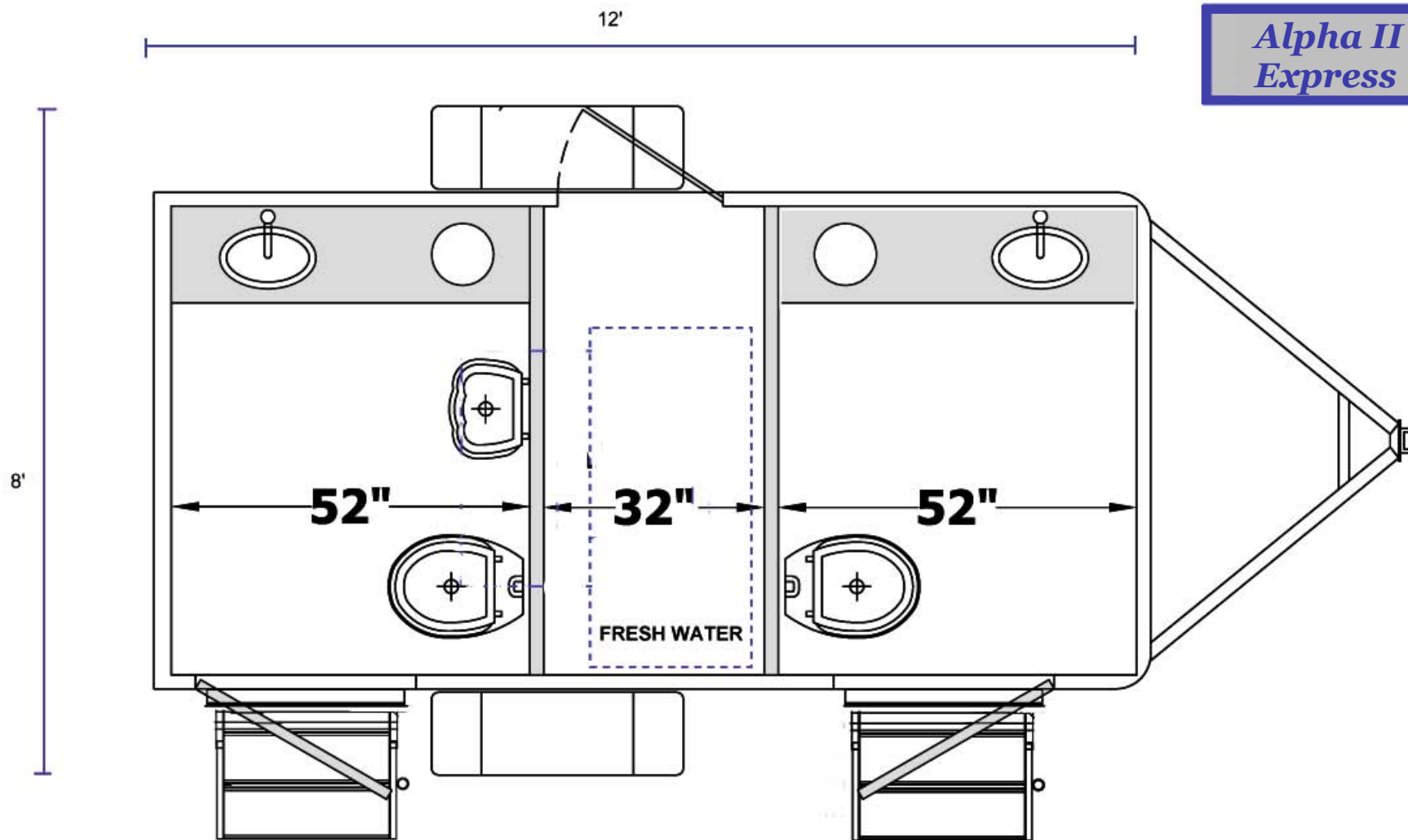


*Alpha II  
Express*





# ALPHA Mobile Solutions

(877) 789-1213

(903) 364-2613

[www.alphamobilesolutions.com](http://www.alphamobilesolutions.com)

## Standard Features List

### Alpha II Express

#### Interior:

- Hands free, porcelain commodes
- Self flushing, porcelain urinals
- Roof mounted max-air vent fans
- Composite countertops
- 12 volt fluorescent lighting
- Shatterproof mirrors
- Stainless steel sinks with automatic shut-off faucets
- Linoleum, one piece flooring
- Lockable cabinet doors
- White vinyl walls
- Trash receptacles
- Soap dispensers, toilet tissue holders, paper towel dispensers
- Automatic entry / exit door closures
- Keyed locks on entry / exit doors with weather stripping
- Equipment room with interior lighting
- 3/4" treated plywood sub-floor

#### Exterior:

- Porch lights at entry doors
- White .030 metal exterior
- Scissor jacks on all four trailer corners
- Removable aluminum steps with swing away grab handles
- 255 gallon waste tank
- 100 gallon fresh water tank
- Standard 110 volt extension chord outlet
- Standard water hose connection
- Standard 3" banjo waste tank clean out connection
- Waste tank washout connection
- Waste tank monitor in equipment room
- Standard 2 5/16" ball hitch with adjustable tongue and sand pad
- LED running lights
- Electric brakes with 7 way plug
- Aluminum bonded seam body
- 3" steel C-channel floor joists on 16" centers
- 6" steel tube frame
- Ztech weatherproof coating on frame ( top, bottom and sides )
- Tor Flex axles
- Diamond plate rock guard on front of trailer





DRINK WATER



THIS IS  
HANDS FREE  
AUTO FLUSH  
URINAL.



